

SCT SERIES

Low Current Ranges



SCT

SCT AC current sensors have center hole sizes and current ratings to suit many application. SCT models have a split core that is perfect for retrofits. Output is the industry standard of 0.333 Vac.

SPECIFICATIONS

INPUTS

Frequency Range	50 to 400 Hz
Leads	8 ft (2.43 m)

ACCURACY

Accuracy	±1% of reading from 10% to 130% of rated current
----------	--

OUTPUTS

Output @ Rated Current	0.333 Vac
------------------------	-----------

MECHANICAL

Insulation	600 Vac
------------	---------

ENVIRONMENTAL

Installation Category III	Pollution Degree 2
Operating Temp Range	-10 to 55 °C (14 to 131 °F)
Storage Temp Range	-40 to 70 °C (-40 to 158 °F)

WARRANTY

Limited Warranty	3 years
------------------	---------

AGENCY APPROVALS

Agency Approvals	cURus, ANSI/IEEE 57.13, CE, RoHS
------------------	----------------------------------



*The CE mark indicates RoHS2 compliance.

High accuracy

±1% from 10% to 130% of rated current

Interleaving joints

Interleaving joints for reliability with a self-locking mechanism and no exposed metal

Compatible with existing systems

0.333 Vac standard output

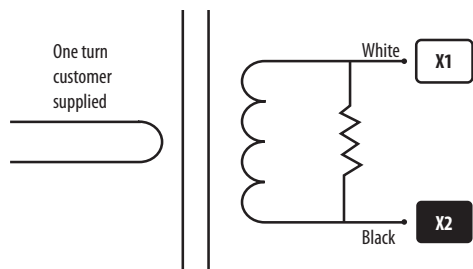
UL Recognized

UL Recognized

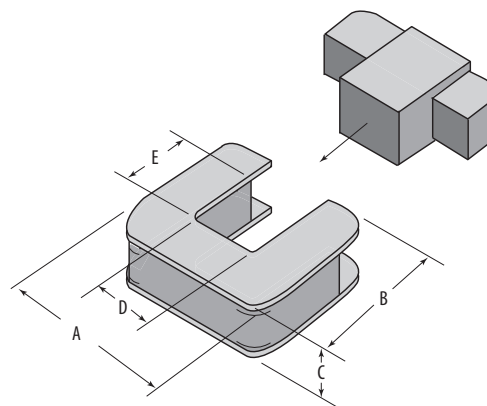
APPLICATIONS

- Data logging
- Recording
- Power monitoring
- Energy management
- Alternative energy monitoring
- Cost allocation

WIRING EXAMPLE



DIMENSIONAL DRAWING



ORDERING INFORMATION

MODEL	MANUF. PART NUMBER	RATING (A)	DESCRIPTION
U004-0030	SCT-0750-005	5	CT, Split-core, 5 A: 0.333 Vac, 0.750" ID
U004-0031	SCT-0750-010	10	CT, Split-core, 10 A: 0.333 Vac, 0.750" ID
U004-0032	SCT-0750-030	30	CT, Split-core, 30 A: 0.333 Vac, 0.750" ID
U004-0033	SCT-0750-050	50	CT, Split-core, 50 A: 0.333 Vac, 0.750" ID
U004-0034	SCT-0750-070	70	CT, Split-core, 70 A: 0.333 Vac, 0.750" ID
U004-0035	SCT-0750-100	100	CT, Split-core, 100 A: 0.333 Vac, 0.750" ID
U004-0036	SCT-0750-150	150	CT, Split-core, 150 A: 0.333 Vac, 0.750" ID
U004-0037	SCT-0750-200	200	CT, Split-core, 200 A: 0.333 Vac, 0.750" ID
U004-0039	SCT-1250-070	70	CT, Split-core, 70 A: 0.333 Vac, 1.250" ID
U004-0040	SCT-1250-100	100	CT, Split-core, 100 A: 0.333 Vac, 1.250" ID
U004-0041	SCT-1250-150	150	CT, Split-core, 150 A: 0.333 Vac, 1.250" ID
U004-0042	SCT-1250-200	200	CT, Split-core, 200 A: 0.333 Vac, 1.250" ID
U004-0043	SCT-1250-250	250	CT, Split-core, 250 A: 0.333 Vac, 1.250" ID
U004-0044	SCT-1250-300	300	CT, Split-core, 300A : 0.333 Vac, 1.250" ID
U004-0045	SCT-1250-400	400	CT, Split-core, 400 A: 0.333 Vac, 1.250" ID
U004-0046	SCT-1250-600	600	CT, Split-core, 600 A: 0.333 Vac, 1.250" ID

MODEL	A	B	C	D	E
SCT-0750-xxx	2.0" (51 mm)	2.1" (54 mm)	0.61" (16 mm)	0.75" (20 mm)	0.75" (20 mm)
SCT-1250-xxx	3.25" (83 mm)	3.35" (86 mm)	1.0" (26 mm)	1.25" (32 mm)	1.25" (32 mm)

